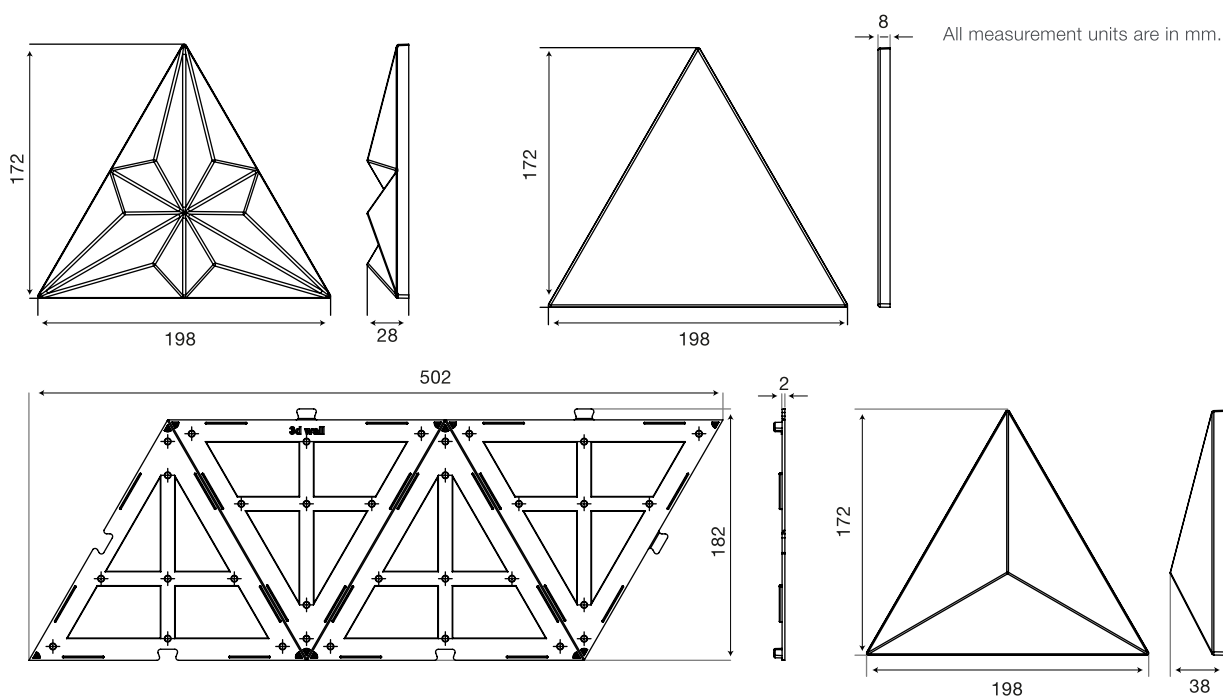




## Technical Data

<b>Model No</b>	DMR006
<b>Thickness and Size</b>	Material thickness 1,5 mm
<b>Dimensions</b>	Highest point 38 mm
<b>Weight</b>	65 gr / Pcs - 3.900 kg/m <sup>2</sup>
<b>Colours</b>	All ral code colours are available
<b>Finishes Available</b>	Matt or glossy paints available
<b>Material</b>	Strengthen, light and strong copolymer
<b>Suitability</b>	Interior / Exterior use for walls and ceilings



## General Performance Data



Flammability  
UL94 / V-0  
(Optional)



Surface Quality  
A1



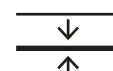
Flexural Strength  
ISO178 / 63MPa



Size Accuracy  
+/-0,05%



Temperature  
Resistance  
-40/+85 °C



Thickness  
Accuracy  
+/-0,005%